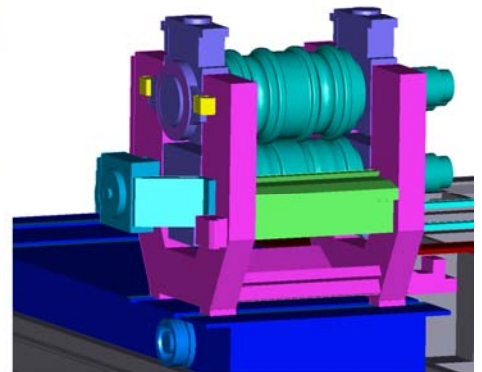
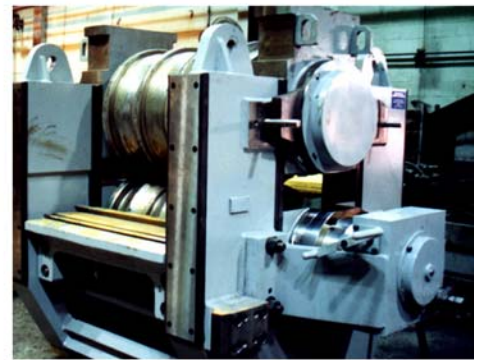
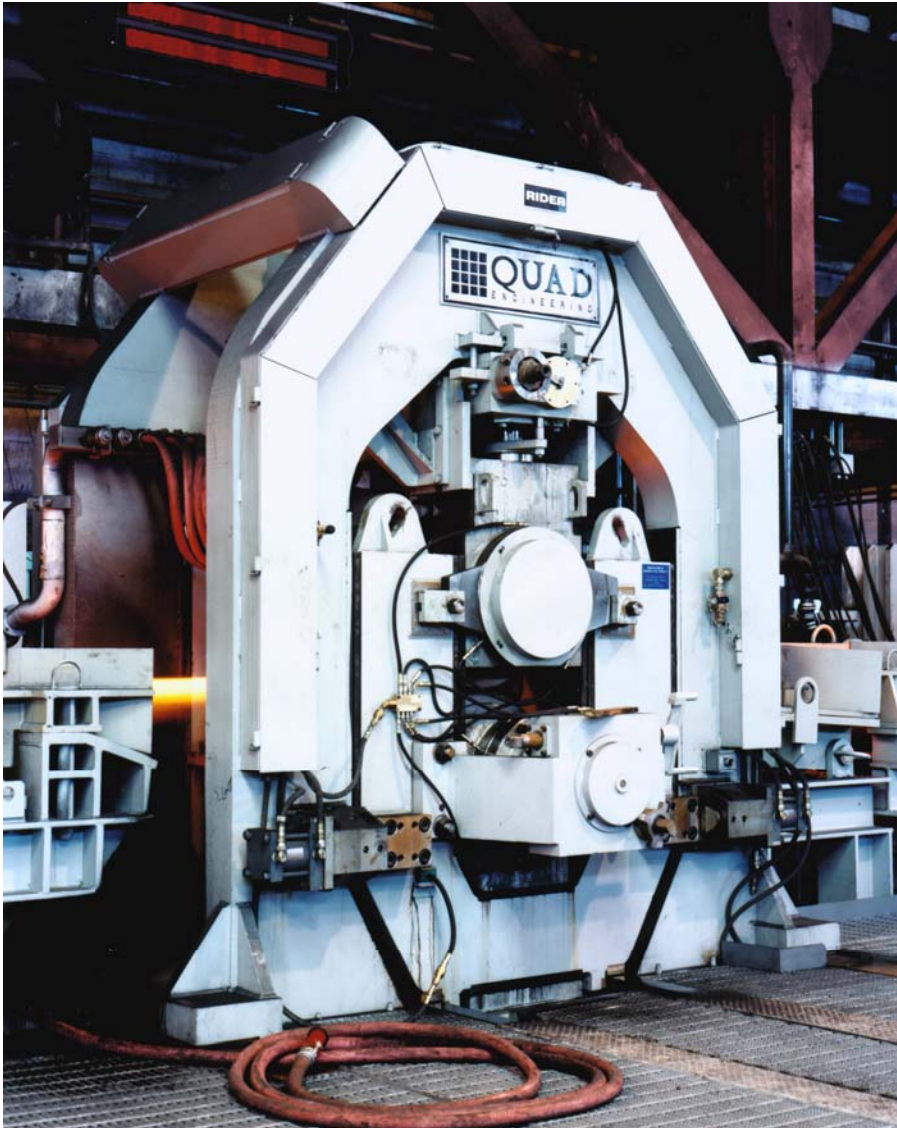


# 26" Wide Window Quick-Change Mill Stand for Immediate Delivery

Quad developed the unique "Wide Window" mill stand so **pre-setting of guides and quick roll changes** would be possible without the need to increase the mill crane lifting capacity needed to lift a large, heavy roughing/structural mill stand.



Quad's Wide Window Mill Stand is suitable for the following **rolling applications**:

- Roughing mill
- Universal finishing of channel
- Intermediate/finishing of structural products
- Slitting stand for Rail Slitting mills
- Reversing roughing stand

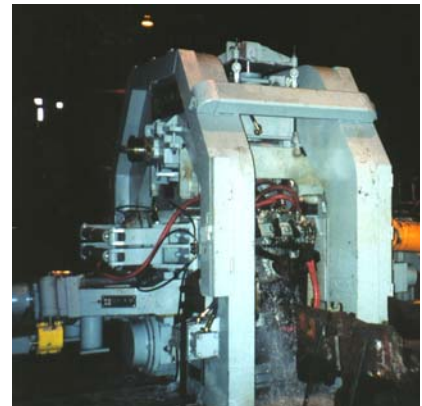
# 26" Wide Window Quick-Change Mill Stand for Immediate Delivery

The Wide Window **design specification** is as follows:

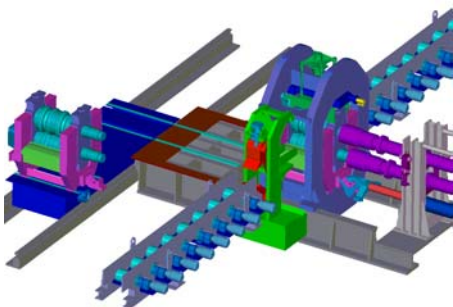
- 2hi Horizontal and Universal Roll configurations
  - 2hi Horizontal: 28" max / 24" min x 38" roll face
  - Universal: Horizontal 34" max / 31" min  
Vertical 19" max / 17" min x 8" roll face  
Vertical rolls adjustable from operators side
- Air / oil lubrication
- 2 row tapered roll neck bearings on taper roll neck
- Fixed rest bars & zero backlash axial adjust
- Quick change car, eliminating need to use overhead crane
- Roll Carrier that can be set-up off line, including guides
- Modular screw down that can be powered for remote adjustment
- Overhead roll balance that is clear of the harsh scale and water environment
- Single cylinder for stand shift (constant pass line) & carrier shift (roll change)
- Modular hydraulic stand clamps and carrier latches

The following Wide Window stand components are available for immediate delivery:

- Mill Stand & Roll Carrier
- Roll change car
- 1 set of chocks & bearings
- Top roll screw down
- Bottom roll axial adjust
- Overhead roll balance
- Mill stand base plate



The following are optional components that can be supplied as required:



- Dummy stand conveyor with 2 individually driven rolls
- Powered screw down for remote gap adjustment
- Universal Carrier for rolling channels or beams
- Universal spindles
- Staggered spindle support for roll engagement
- Radio control of all stand movement functions

For More information Please email **Joe Kennedy** at: [j.kennedy@quadeng.com](mailto:j.kennedy@quadeng.com)